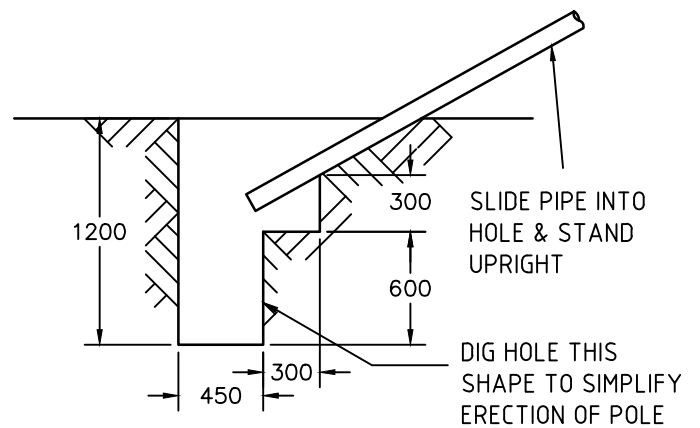


4	8mm MILD STEEL ROD	384mm
3	50x50x5 MILD STEEL ANGLE TO AS1204	350 LG
2	5mm MILD STEEL PLATE, 130mm $\phi$	1
1	GALVANISED STEEL PIPE 100 ID 4.5 WALL	6500 LG
ITEM	DESCRIPTION	QTY

STOCK No  
1168521

- NOTES:
- ALL DIMENSIONS IN MILLIMETRES
  - GI POLE SHALL BE BONDED TO THE NEUTRAL OF THE SERVICE CABLE USING THE EARTHING HOLE IN ALL INSTANCES IN ACCORDANCE WITH DRAWING 392-8-07.
  - A SERVICE BRACKET (STOCK NO. 1169565) CAN BE MOUNTED IF REQUIRED USING THE M12 HOLES.
  - CUSTOMER TO SUPPLY 100mm DIA. MEDIUM WALL GI PIPE, CAP PLATE & ANGLE. THE CAP PLATE, ANGLE SECTION AND 8MM ROD ARE TO BE WELDED TOGETHER AS INDICATED AND THEN HOT DIPPED GALVANISED. THIS ASSEMBLY SHALL THEN BE WELDED TO THE GALVANISED WATER PIPE. THE COMPLETE ASSEMBLY SHALL THEN BE ERECTED AT THE AGREED LOCATION. A FABRICATED POLE CAN BE PURCHASED FROM EVOENERGY - STOCK
  - No.1168521.  
TO CONTACT EVOENERGY SERVICE MARKER, TELEPHONE (02) 6293 5770 BETWEEN 7.30am & 4.00pm MONDAY TO FRIDAY.
  - THIS POLE IS NOT TO BE INSTALLED WITHIN SWIMMING POOL ZONES AS PER AS/NZS 3000:2000. APPROXIMATE TIP LOAD RATING (SWL) FOR THE POLE IS 1.6kN (NO WIND) AND 1.4kN (WIND) CONDITIONS



POLE EXCAVATION DETAILS

				Drawn: G SMITH	Designed: G. Smith	<b>evoenergy</b>	Scale:	Date: 7/04/1999	Sheet No:
				Checked: G. Ingram			Work Pack No:	File:	
				Approved: G. Astbury			Status:	Current	
				Project No:			<b>A3</b>	<b>8913-12-03</b>	Rev H
H	LOGO AND REFERENCES UPDATED TO EVOENERGY	8/01/2018	C. Desai	W. Ibrahim	GALVANISED STEEL SERVICE POLE				
G	STOCK NUMBER ADDED	14/02/2008	JP	GA					
No	Revision	Date	Checked	Approved					
The information contained within this drawing & associated electronic file shall remain the property of Evoenergy and shall not be copied or used for any other purpose without express written permission from Evoenergy. © Evoenergy. 2017.					ACT Cadastral information supplied by the ACT Environment & Sustainable Development Directorate. © ACT Gov. 2017.				