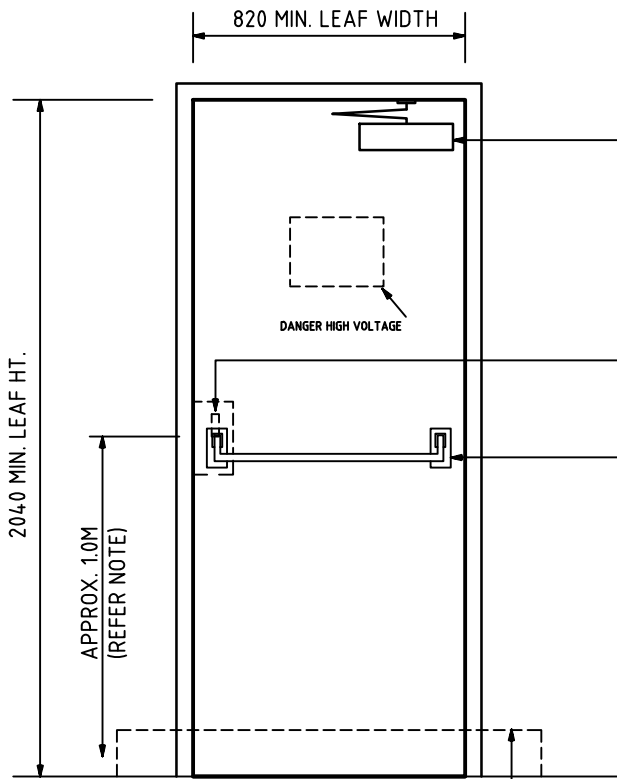


PERSONNEL ESCAPE DOOR IN FIRE RATED WALLS

USED ONLY WHERE THE SUBSTATION IS BUILT INTO, OR IS ATTACHED TO THE STRUCTURE OF THE ASSOCIATED BUILDING



INTERNAL ELEVATION OF TYPICAL CONFORMING DOOR

FIRE DOOR:—

ALL ELEMENTS MUST BE IDENTICAL TO ITEMS APPROVED ON FIRE TESTED DOORS. WATERPROOF FACES FOR EXTERNAL DOORS.

DOOR CLOSER:—

SURFACE MOUNTED PARALLEL ARM

HINGES:—

STEEL, GALV STEEL OR STAINLESS STEEL. NUMBER VARIES WITH DOOR SIZE

KEY CYLINDER:— (WHERE REQUIRED)

EVOENERGY EXCLUSIVE PROFILE

DOOR LOCK & FURNITURE

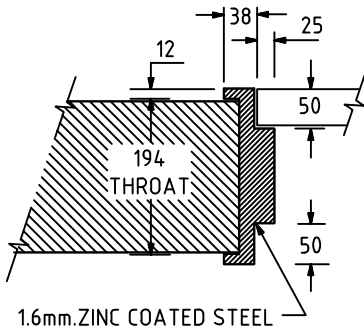
EXIT PANIC BAR
900 & 1200 FFL
WITH AUTO-DEADLOCK FUNCTION
D PULL HANDLE 16dia x 100mm ON OUTSIDE
SECURED TO FRAME WITH AMPLE FINGER GRIP

DOOR OPERATION:—

THE DOOR MUST CLOSE, LATCH INTO THE STRIKE AND LOCK WITH EACH DOOR OPERATION, FREE LEVER HANDLE INSIDE FOR ESCAPE WITHOUT A KEY AT ALL TIMES

THRESHOLD & BUND:—

INCOMBUSTABLE THRESHOLD OR SILL WITH 100 x 100 min. MASONRY BUND



TYPICAL FRAME PROFILE FOR 190 BLOCKWORK

BCA REQUIREMENTS

FIRE DOOR FRL
FIRE DOOR SIGNS
ESCAPE HARDWARE
DOOR HEIGHT
DOOR WIDTH

AUSTRALIAN STANDARDS

SAFETY SIGNS
FIRE DOOR

EVOENERGY REQUIREMENTS

DIRECTION OF SWING
ELECTRIC DOOR RELEASE
BUND

(2hr) TO COMPLY WITH AS1905.1

"FIRE SAFETY DOOR DO NOT OBSTRUCT DO NOT KEEP OPEN"
LEVER HANDLE BETWEEN 900 & 1200 ABOVE FFL
MINIMUM CLEAR UNOBSTRUCTED HEIGHT 1980mm.
MINIMUM CLEAR UNOBSTRUCTED WIDTH 750mm.

"DANGER HIGH-VOLTAGE-KEEP OUT" 350W X 175H

TESTED LATCHING HARDWARE ONLY. NO HOLD OPEN BOLTS.

TO SWING IN THE DIRECTION OF ESCAPE (PUSH OUTWARDS)
NOT PERMITTED

100 x 100mm MINIMUM 1200mm MAXIMUM LENGTH MASONRY
BUND SILICON SEAL TO SILL & WALL

C2.13(a)
D2.23(b)
D2.21
D1.6(a)
D1.6(f)

AS1319
AS1905.1

FRL = FIRE RESISTANCE LEVEL

D	LOGO AND REFERENCES UPDATED	18/03/2018	B. Suthar	W. Ibrahim
C	UPDATED AS PART OF CHAMBER SUBSTATION STANDARDS REVIEW	29/11/2017	C. Desai	W. Ibrahim
B	SAFETY SIGN DIMENSION CHANGED	1/05/2008	AC	GA
A	LOGO UPDATED	31/03/2008	AC	GA
No	Revision	Date	Checked	Approved

The information contained within this drawing & associated electronic file shall remain the property of Evoenergy and shall not be copied or used for any other purpose without express written permission from Evoenergy. © Evoenergy, 2018.
ACT Cadastral information supplied by the ACT Environment & Sustainable Development Directorate. © ACT Gov. 2018.

evoenergy

PERSONNEL ESCAPE DOOR
IN FIRE RATED WALLS FOR
INDOOR CHAMBER SUBSTATIONS

Drawn: R. Cross Date: 1/07/1997
Designed: E. Amaratunga
Checked:
Approved:

Project No: Status: Current
Work Pack No: File:

A4 4951-23 REV D